



IPOLE-WPK<sup>TM</sup>

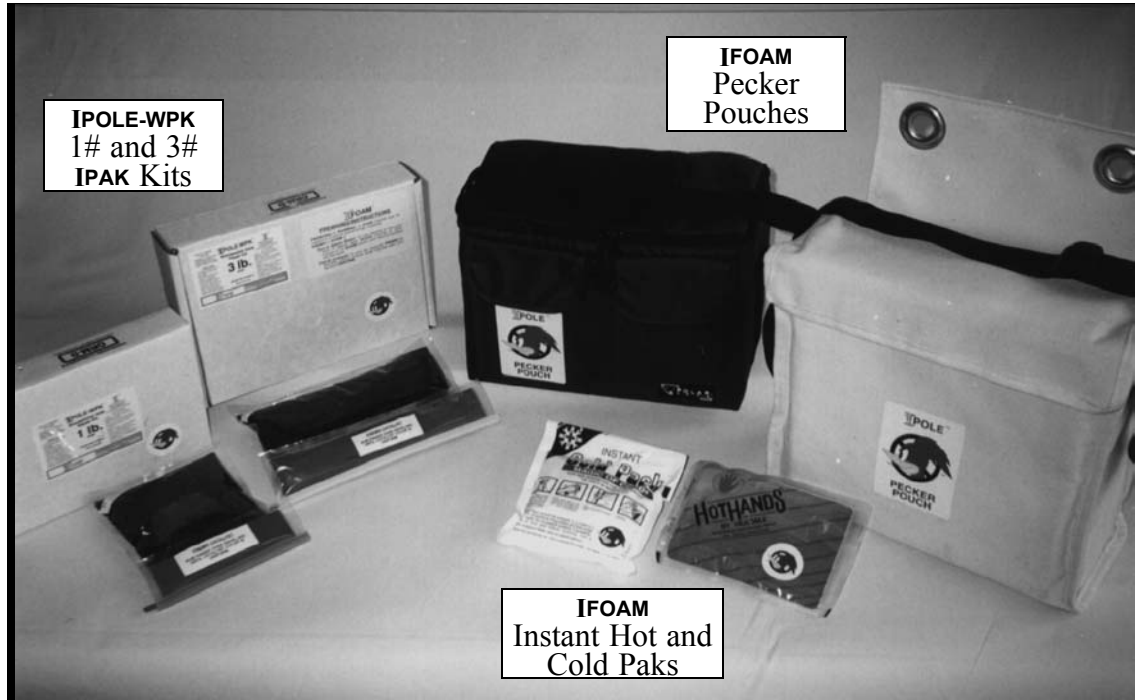


# Woodpecker Hole Repair Kit

## IPAK

## INSTALLATION INSTRUCTIONS

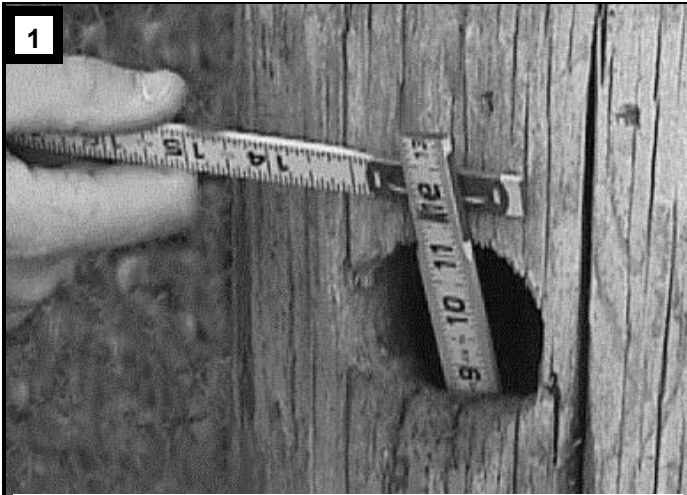
(Pictorial)



### DO's AND DON'Ts OF IPOLE-WPK KIT INSTALLATION

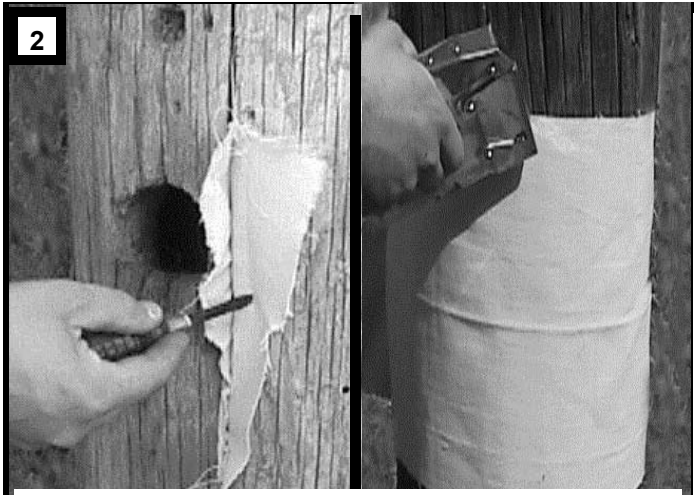
- **DO NOT** disturb nest if eggs or young woodpeckers are present. Woodpeckers are a **PROTECTED SPECIES**.
- **ALWAYS** check hole for other small animals or birds. Remove loose nesting material where possible.
- **DO NOT** place wood shavings, saw dust, tree limbs, leaves, pine needles, wood chips (from a chipping machine) or any other foreign material into the hole being repaired.
- **USE ONLY** clean, dry wood chunks in the **IPOLE-WPK** System.
- **DO NOT** dispose of trash, empty **I**PAK sleeves or **I**TAINERS, excess canvas, or any other debris inside the hole being repaired.
- **DO NOT** place unmixed **IFOAM** into the hole. **IFOAM** is a two-part epoxy system that will not harden without adequate mixing of **BOTH** components.

I Corp



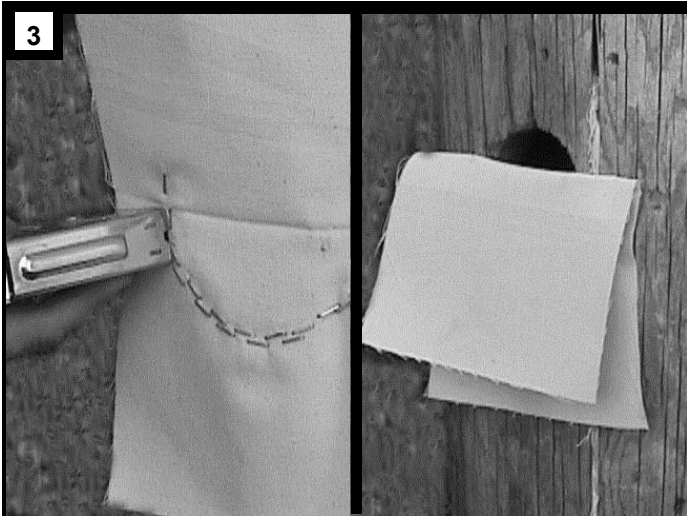
1

Using a flexible measuring tape, **MEASURE** the **LENGTH** and **DIAMETER** of **BOTH** the **Woodpecker Hole Opening** and the **Woodpecker Nest**. Using the **IFOAM** Volume chart on the back page, **CALCULATE** the total amount of **IFOAM** required to repair the hole.



2

**PACK** a piece of canvas into any cracks or checks that might connect to the Woodpecker Nest or Opening. This will prevent the expanding **IFOAM** from escaping. If cracks are too numerous or large to pack with canvas, **WRAP** pole with canvas strip (Part No. IP-WPC-5) and staple. Remove unbonded canvas after **IFOAM** has hardened.



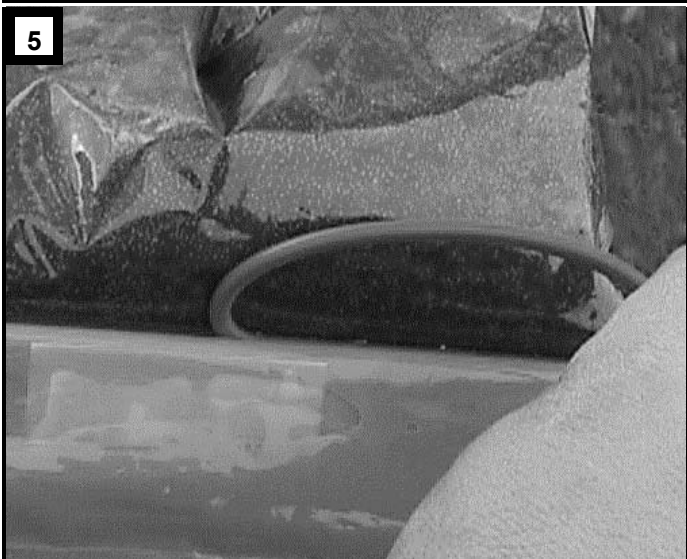
3

Using a staple gun, **STAPLE** the supplied cloth patch half way around the bottom portion of the Woodpecker Hole Opening.  
**FOLD** canvas down leaving a hole at the top.



4

**PREMIX** colored catalyst by kneading brightly colored material inside **IPAK** until the color becomes **UNIFORM**.



5

**GENTLY PEE**L the **RED** Rod from the **CLEAR IPAK** Channel.



6

**Holding** the **IPAK** in one hand, **KNEAD** the contents using the fingers of the other hand.



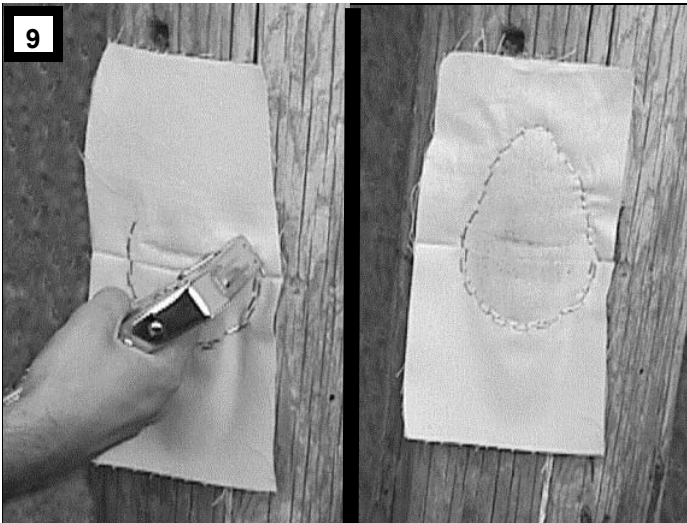
7

Using a knife, **SLIT** one corner of the **IPAK**.



8

**SQUEEZE** the contents of the **IPAK** into the hole. Continue Steps 4-8 until sufficient **IFOAM** is injected to expand and fill the Woodpecker Nest and Opening. (When using **WOOD CHUNKS**, refer to section "Using Wood Chunk Filler in the Repair".)



9

Using the Staple Gun, **STAPLE** the canvas over the remaining portion of the Woodpecker Hole Opening. The better the canvas is stapled, the better the **IFOAM** will remain in the hole.



10

For a **BETTER SEAL**, fold remaining canvas over hole and staple again.



11

To **DISCOURAGE** woodpecker activity around the hole, **SMEAR IFOAM** a minimum of one bird height above and adjacent to the repaired hole. (You can use a portion of the **IPOLE-WPK** box as a putty knife/trowel.)

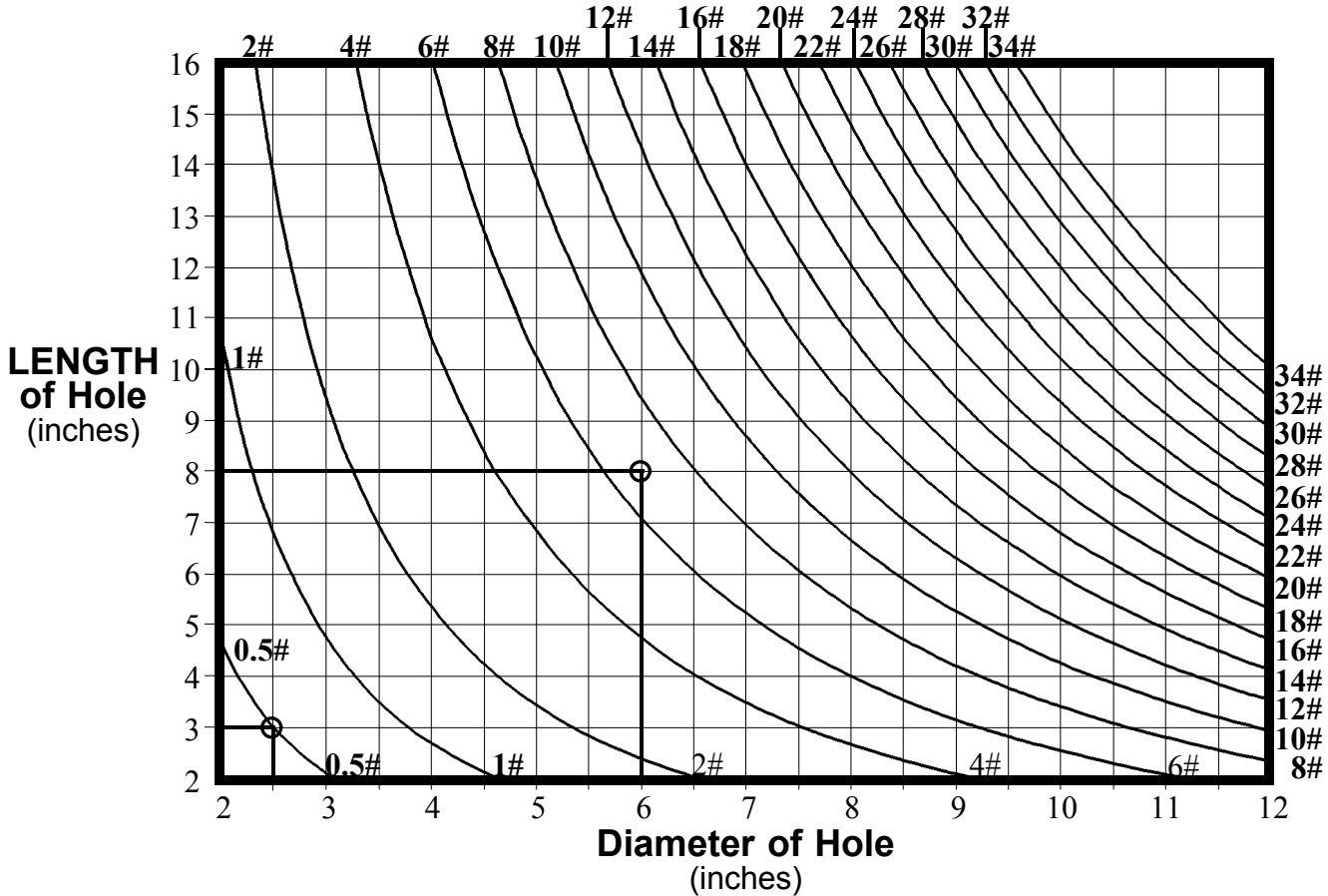


12

**SMEAR IFOAM** into "Peck-Outs" to discourage further activity in these areas.

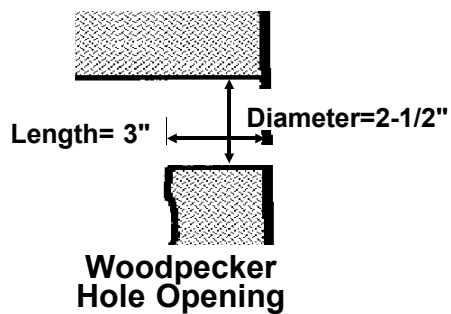
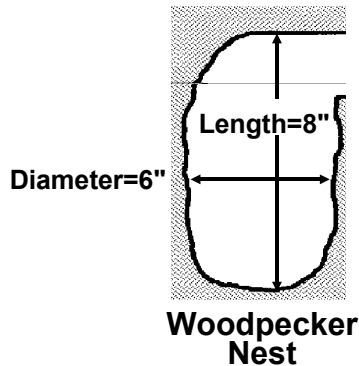
**IPOLE-WPK  
WOODPECKER HOLE REPAIR SYSTEM  
HOLE LENGTH vs. DIAMETER vs. LBS. IFOAM**

**LBS. of IFOAM  
(Without Wood Chunk Filler)**



**Example:**

**Woodpecker Nest is 6" diameter X 8" long.  
Woodpecker Hole Opening is 2-1/2" diameter X 3" long.**



**Woodpecker Nest:** Go along the bottom of the chart to 6" diameter and up to 8" length. Amount of IFOAM required to fill this Woodpecker Nest is 7 lbs.

**Woodpecker Hole Opening:** Go along the bottom of the chart to 2-1/2" diameter and up to 3" length. Amount of IFOAM required to fill this Woodpecker Hole and Opening is 1/2 lb.

The **TOTAL** amount of IFOAM required to fill this example Woodpecker Nest and Woodpecker Hole Opening is:

**7 lbs. + 1/2 lb. = 7-1/2 pounds of IFOAM Without Wood Chunk Filler**