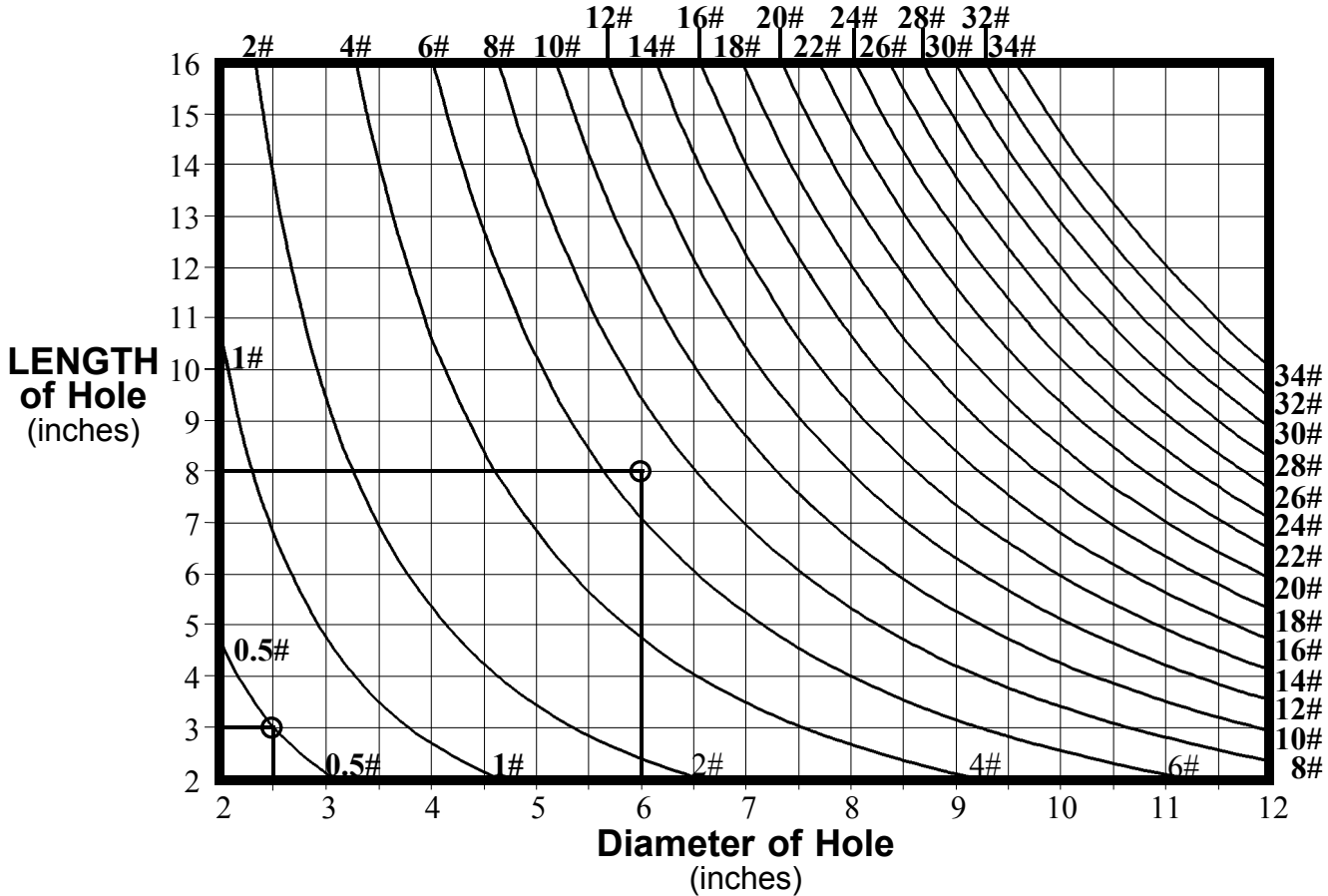


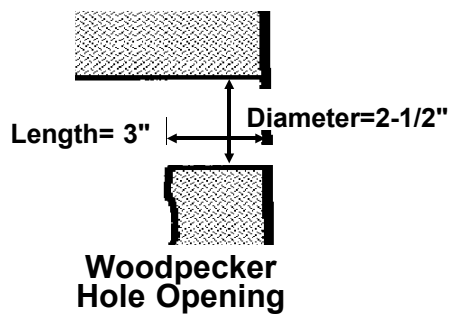
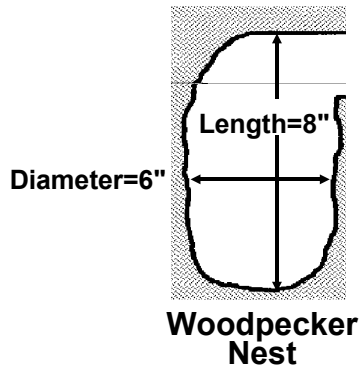
**IPOLE-WPK  
WOODPECKER HOLE REPAIR SYSTEM  
HOLE LENGTH vs. DIAMETER vs. LBS. IFOAM**

**LBS. of IFOAM  
(Without Wood Chunk Filler)**



**Example:**

**Woodpecker Nest is 6" diameter X 8" long.  
Woodpecker Hole Opening is 2-1/2" diameter X 3" long.**



**Woodpecker Nest:** Go along the bottom of the chart to 6" diameter and up to 8" length. Amount of IFOAM required to fill this Woodpecker Nest is 7 lbs.

**Woodpecker Hole Opening:** Go along the bottom of the chart to 2-1/2" diameter and up to 3" length. Amount of IFOAM required to fill this Woodpecker Hole and Opening is 1/2 lb.

The **TOTAL** amount of IFOAM required to fill this example Woodpecker Nest and Woodpecker Hole Opening is:

**7 lbs. + 1/2 lb. = 7-1/2 pounds of IFOAM Without Wood Chunk Filler**